

# Lugged Pattern Double Offset Class 150

- Class 150
- Available in Stainless or Carbon Steel bodies
- Stainless Steel disc
- PTFE or Graphite Stem Seals
- Glass filled TFM 1700 Seat
- Fire safe design
- ISO mount flange with recessed packing gland
- Extended neck to allow for Pipe insulation
- Postive cast position stop

## Pressure/Temperature Rating

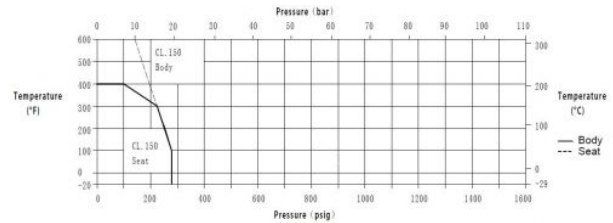
Class 150

Carbon Steel -20oF to 400oF

285PSIG at 100oF

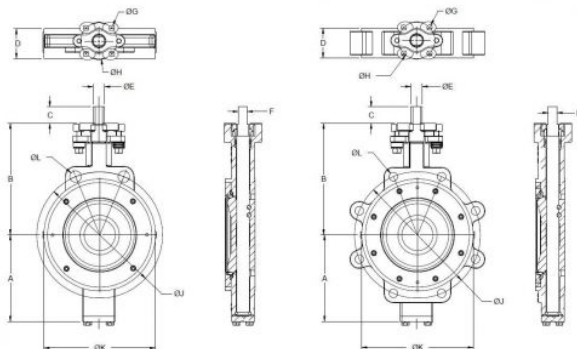
Stainless Steel -20oF to 400oF

275 PSIG at 100oF



## Materials

| Part                | Material                 |
|---------------------|--------------------------|
| Anti-Extrusion Ring | Stainless Steel 316      |
| Body                | A351-CF8MA216-WCB        |
| Disc                | A351-CF8M                |
| Lower Bearing       | Stainless Steel 316/PTFE |
| Packing Gland       | Stainless Steel 316      |
| Seat                | Glass Filled TFM 1700    |
| Seat Retainer       | A351-CF8M /A216-WCB      |
| Spacer              | PTFE                     |
| Stem                | 17-4PH                   |
| Stem Seal           | PTFE                     |
| Thrust Ring         | Stainless Steel 316      |
| Upper Bearing       | Stainless Steel 316/PTFE |



## Dimensions & Weights

| Valve Size (inch) | 2   | 2 1/2 | 3   | 4   | 5   | 6   | 8   | 10  | 12  | 14  | 16  | 18  | 20  | 24  |
|-------------------|-----|-------|-----|-----|-----|-----|-----|-----|-----|-----|-----|-----|-----|-----|
| Valve Size (mm)   | 50  | 65    | 80  | 100 | 125 | 150 | 200 | 250 | 300 | 350 | 400 | 450 | 500 | 600 |
| <b>A (mm)</b>     | 92  | 103   | 111 | 122 | 143 | 165 | 182 | 214 | 260 | 300 | 338 | 376 | 400 | 473 |
| <b>B (mm)</b>     | 135 | 147   | 157 | 179 | 193 | 214 | 241 | 276 | 312 | 338 | 390 | 425 | 451 | 528 |
| <b>C (mm)</b>     | 28  | 28    | 28  | 33  | 33  | 32  | 33  | 55  | 55  | 665 | 81  | 80  | 111 | 111 |
| <b>D (mm)</b>     | 44  | 47    | 49  | 55  | 57  | 57  | 65  | 71  | 82  | 92  | 103 | 114 | 127 | 155 |
| <b>E (mm)</b>     | 13  | 15    | 15  | 19  | 23  | 23  | 26  | 28  | 36  | 43  | 51  | 51  | 60  | 65  |
| <b>F (mm)</b>     | 9   | 11    | 11  | 14  | 17  | 17  | 19  | -   | -   | -   | -   | -   | -   | -   |
| <b>KEY (J)</b>    | -   | -     | -   | -   | -   | -   | -   | 8   | 10  | 12  | 13  | 13  | 16  | 20  |
| <b>G (mm)</b>     | 11  | 11    | 11  | 11  | 11  | 11  | 14  | 14  | 14  | 19  | 22  | 22  | 22  | 19  |
| <b>H (mm)</b>     | 71  | 71    | 71  | 71  | 71  | 71  | 125 | 125 | 125 | 141 | 165 | 165 | 165 | 254 |
| <b>J (mm)</b>     | 121 | 140   | 153 | 191 | 216 | 242 | 299 | 362 | 432 | 477 | 540 | 578 | 635 | 750 |
| <b>K (mm)</b>     | 104 | 120   | 125 | 155 | 184 | 214 | 268 | 322 | 379 | 410 | 468 | 532 | 584 | 692 |

Fareham

**01329 283 425**

[valvestock.enquiries@wolseley.co.uk](mailto:valvestock.enquiries@wolseley.co.uk)