



# SV54N PN16 Stainless Steel

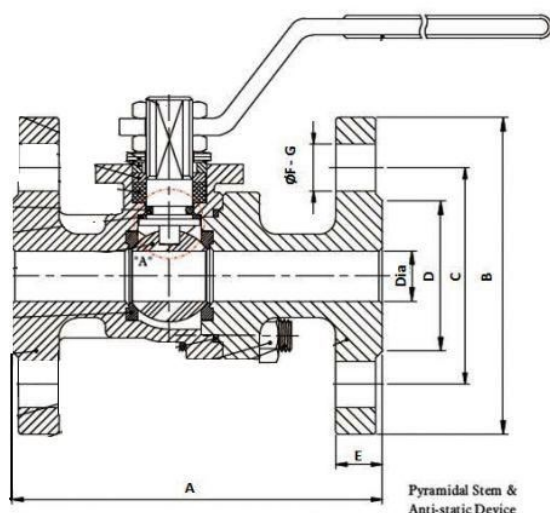
- Stainless steel body and trim
- PTFE WRAS approved seats
- ISO 5211 actuator mounting pad
- Blow out proof stem design
- Anti static device
- Locking device
- Shell Wall Thickness : ISO 7121
- Face to Face dimensions (DN15-DN100) : DIN 3202 F4
- dimensions (DN12-DN200) : DIN 3202 F5

## Pressure/Temperature Rating

See Graph

## Test Pressures (Hydraulic)

Valve shell to: ISO 7005/1



## Materials

Part	Material	ASTM	Din
Ball	Stainless steel		1.4408
Body	Stainless steel		1.4408
Cap	Stainless steel		1.4408
Concave washer	Stainless steel		1.4401
Gasket	PTFE		
Handle	Stainless steel	304	
Locking plate	Stainless steel	304	
Nut	Stainless steel		1.4301
O-ring	VITON		
Packing ring	PTFE		
ring	Stainless steel	304	
Set nut	Stainless steel		1.4301
Stopper	Stainless steel	304	
stud bolt	Stainless steel		1.4301
Thrust washer	PTFE		

## Dimensions & Weights

Valve Size (mm)	15	20	25	32	40	50	65	80	100	125	150	200
<b>A (mm)</b>	115	120	125	130	140	150	170	180	190	325	350	400
<b>B (mm)</b>	95	105	115	140	150	165	185	200	220	250	285	340
<b>C (mm)</b>	65	75	85	100	110	125	145	160	180	210	240	295
<b>D (mm)</b>	45	58	68	78	88	102	122	138	158	188	212	268
<b>E (mm)</b>	14	16	16	16	16	18	18	20	20	22	22	24
<b>F (mm)</b>	14	14	14	18	18	18	18	18	18	18	22	22
<b>G (mm)</b>	4	4	4	4	4	4	4	8	8	8	12	12
<b>Port Dia (mm)</b>	15	20	25	32	40	50	65	80	100	125	150	200
<b>Bore ( )</b>	full	full	full	full	full	full	full	full	full	full	full	full